

# Learning FUN!

## Activity



Snazzy stars are sure to delight! They bring a burst of color to any space and look great hanging. Or, use the freestanding star as a Star Student award. Achieve this by adding the student's picture to the front of the star and interesting qualities and characteristics about the student on the back. What a neat keepsake to take home!

### Super Stars

#### You'll Need:

**T-92353 Colorful Brush Strokes** *Terrific Trimmers*®

**T-92361 Pretty Petals** *Terrific Trimmers*®

Scissors, a ruler, and glue or tape.

Optional: jump ring and curling ribbon.

#### Directions:

Select two Colorful Brush Strokes for the star and two Pretty Petals Terrific Trimmers® for the star center. Trim off the scalloped edges and glue the matching trimmers back-to-back so you have strips with two-sided patterns.

**For the Star:** Trim ½" off one end of the Colorful Brush Strokes Terrific Trimmers®. Then, accordion fold the trimmer into eleven 3½" sections (Fig. 1). The first section is #1 and the last is #11. Glue section #1 and #11 together, and a star shape should appear (Fig. 3).

**For the Star Center:** Trim the Pretty Petals Terrific Trimmers® strip to 12". Accordion fold it into six 2" sections. The first section is #1 and the last is #6. To create a hexagon shape, glue section #1 and #6 together (Fig. 2). Tuck it into the middle of the star shape so that

each side creates a triangle with each point of the star. Secure the two shapes together with glue or tape (Fig. 3).

**Hanging Option:** Place a jump ring through the top point of the star and use curling ribbon to hang it.

Fig. 1

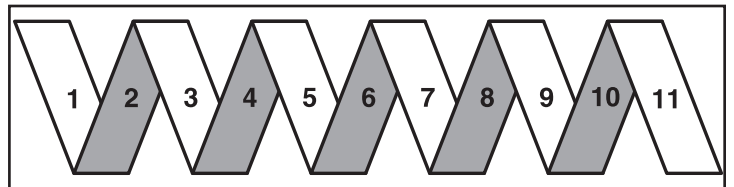


Fig. 2

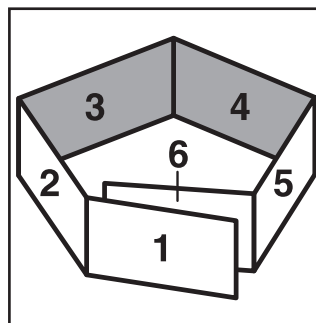


Fig. 3

